



Small Machines
Big Savings

UME 18

1.9T Operating Weight Mini Excavator



03/ MAIN DEMENSIONS

a. Wheelbase	1219 mm /4'
b. Total Length of Track	1574 mm /5' 2"
c. Platform Ground Clearance	457 mm /1' 6"
d. Platform Back Turning Radius	787 mm /2' 7"
e. Chassis Width	990 mm (3' 3") /1219 mm(4')
f. Track Width	228 mm/9"
g. Track Height	355 mm /1' 2"
h. Transport Length	3403 mm /11' 2"
i. Seat To Floor Height	1651 mm /5' 5"
j. Overall Height	2362 mm /7' 9"

01/ FEATURES

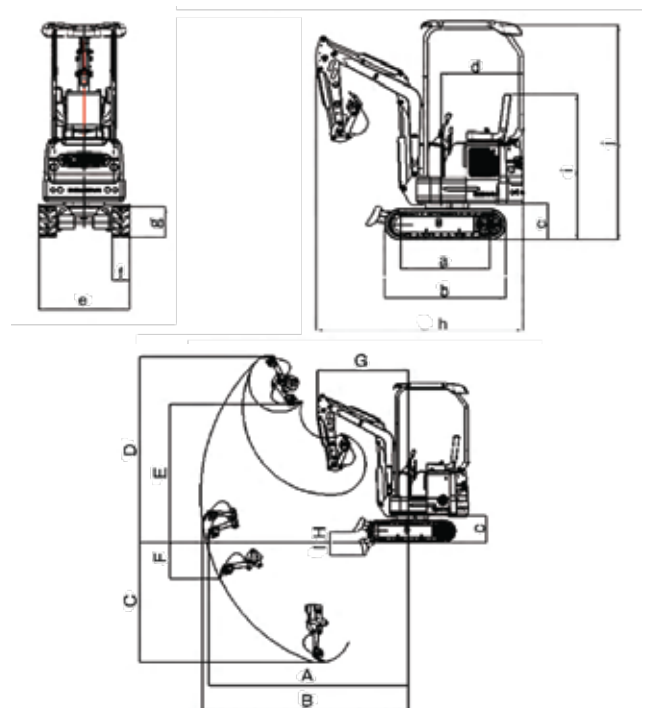
- * Yanmar 15.1hp diesel engine
- * Swing boom; high/low travel speed; Expandable track
- * Hydraulic quick hitch for easy changing attachments
- * Included attachments: 8" trenching bucket, 16" digging bucket, 39" grading bucket, ripper, hydraulic quick hitch, hydraulic thumb
- * Optional attachments: Jackhammer, Auger, Rake, Grapple
- * 3 year peace-of-mind warranty!

02/ SPECIFICATION

Operation Weight	4,200 lbs/1.9 t
Digging Bucket Capacity	1.6 cubic feet/0.045 m ³
Engine	Yanmar 3TNV74F
Rated Power	11.2 kW(15.1 hp)/2400 r/min
Displacement	898 CC
Max. Bucket Digging Force	3,035 lbs(13.5 kN)
Max. Arm Digging Force	2,270 lbs(10.1 kN)
Max. Grade Ability	30°
Fuel Capacity	4.2 gals / 15.9L Diesel
Operating Pressure	3,190 PSI(22 MPa)
Hydraulic Flow Rate	12.68 GPM(48 L/min)
Hydraulic Oil Capacity	3.5 gals/13.2 L
Swing Motor	Eaton
Swing Speed	11 RPM
Traveling Motor	Aidi
Travel Speed	1.9/3.4 km/h
Boom Swing Angel(L/R)	50°/55°

04/ OPERATING RANGE

A. Max. Digging Radius On Ground	3606 mm/11' 10"
B. Max. Digging Radius	3708 mm/12' 2"
C. Max Digging Depth	2159 mm/7' 1"
D. Max. Digging Height	3276 mm/10' 9"
E. Max. Unloading Height	2311 mm/7' 7"
F. Max. Vertical Digging Depth	1727 mm/5' 8"
G. Min. Swing Radius	1574 mm/5' 2"
H. Max. Lifting Height Of Dozer Blade	279 mm/11"
I. Max. Digging Depth Of Dozer Blade	178 mm/7"



UHI MACHINERY

1-800-580-7316

www.uhimachinery.ca

ON Branch: 11488 Yonge St, Richmond Hill, L4S 1K8
Email: sales@uhimachinery.ca

QC Branch: 505 Boulevard Saint Jean Baptiste, Mercier, J6R 2A9
Email: quebec_sales@uhimachinery.ca

BC Branch: #103-1750 Coast Meridian Rd, Port Coquitlam, BC V3C 6R8
Email: bc_sales@uhimachinery.ca